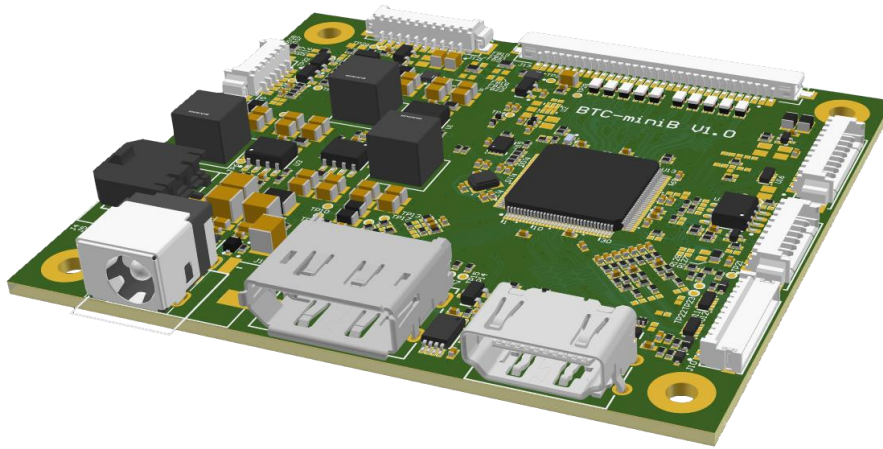


BTC-miniB (STD)

BTC-miniB is a DisplayPort, HDMI and analog RGB to LVDS converter board which accepts common video signals. Digital interfaces DisplayPort 1.2, HDMI 1.4a and all backward compatible signals are supported as well as analog RGB. It generates all necessary control signals and panel data to drive TFT-LCDs with V_{DD} level 3.3V, 5V or 12V. This TFT-controller board supports resolutions up to 1920x1200 (WUXGA) at a vertical refresh rate up to 60Hz. The user interface includes brightness, contrast adjustment, etc. by on-screen programming. For automatic backlight adjustment an ambient light sensor is supported. Several OSD functions can be managed via embedded I²C-interface or DDC/CI.



Features

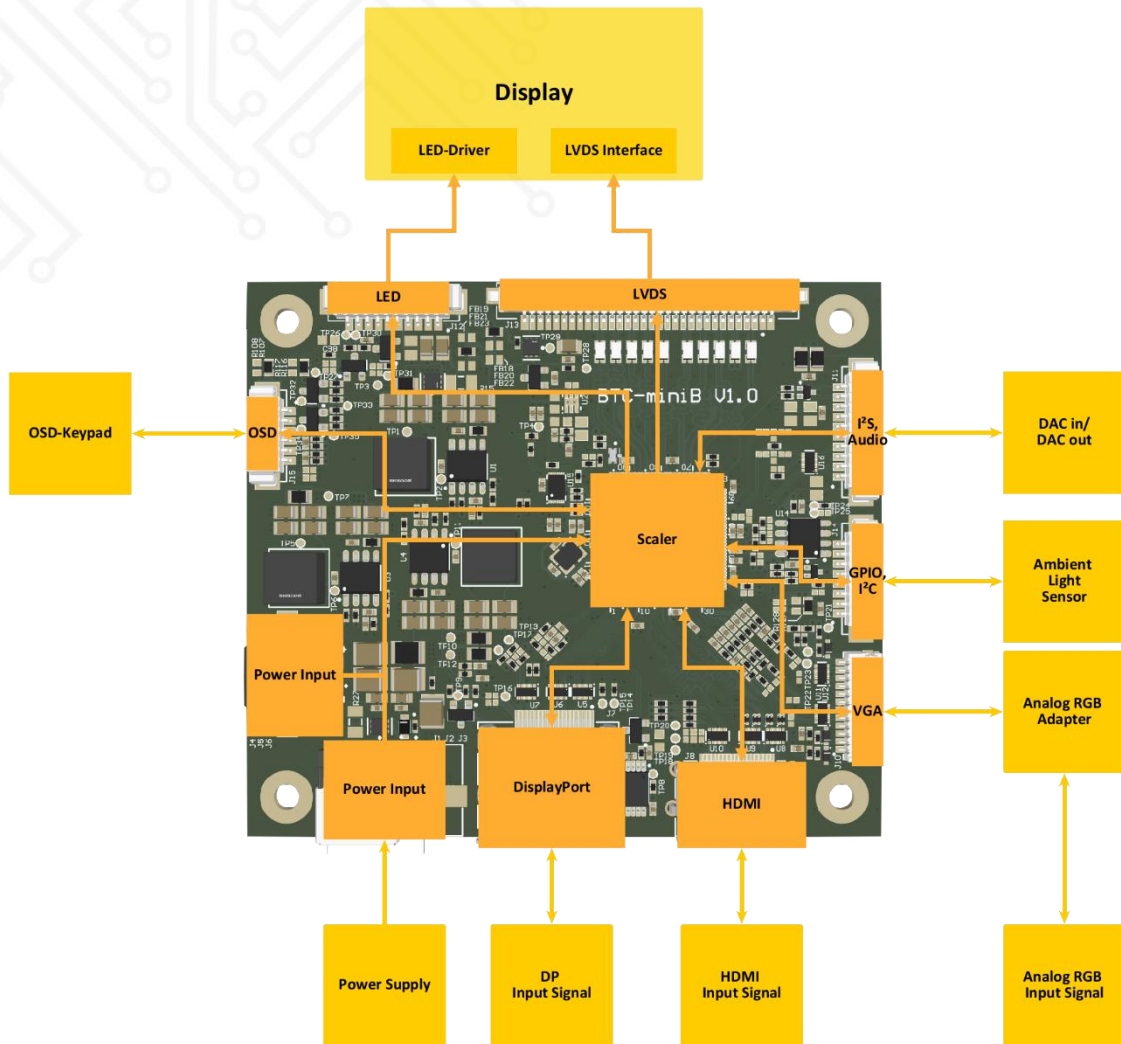
- Small outline
- Flat design
- Up to 32V input voltage
- Reverse voltage protection
- MCCS via DDC/CI
- I²C control interface (for e.g. light sensor)
- On-board temperature sensor
- Free GPIO, PWM and ADCs (for customized features)
- Optional HDCP support
- I2S Audio output

Technical Specification

Input Interface	DisplayPort, HDMI, RGB
Output Interface	Dual-LVDS, 24-bit
Max. Resolution	1920 x 1200 pixels (WUXGA)
Power Supply	12V/DC and 16V/DC... 32V/DC
Power Consumption	0.1W (standby) <1.3W (active mode)
Dimensions	80mm x 70mm x 10mm (W x D x H)
Weight	36 g
Operating Temperature	0°C ... 60°C

Typical Application

A typical application in an industrial environment is shown in the following figure:



Accessories

Part No.	Name	Description
188-00330	Power supply 12V, 5A, 2.5 x 5.5 x 11mm	Power supply 60W (12V/DC, 5A)
188-00756	BTA-keypad_var.ANA_v1.0	5-button keypad with bi-color R/G SMD LED
188-02292	OSC_BTC-mini_BTA-keypad-ANA_250	Cable for analog OSD-keypad
188-02275	PWR-MF-TL_DC-JACK-5.5-2.5_100	Power adapter cable BTC-mini to DC jack 2.5mm x 5.5mm
188-02276	PWR-MF-TL_open-end_250	Power adapter cable BTC-mini to open end
188-02295	OC_BTC_VGA-ADA_125	VGA adapter, BTC-mini to DSUB-15 (female)

Technical Support & contact information

For more information, customized adaptations and new designs please visit our [website](#).